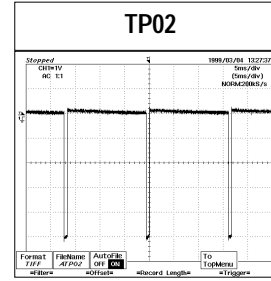
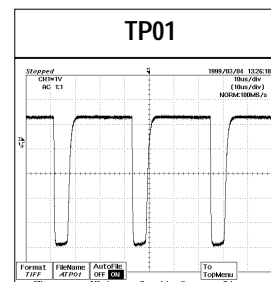
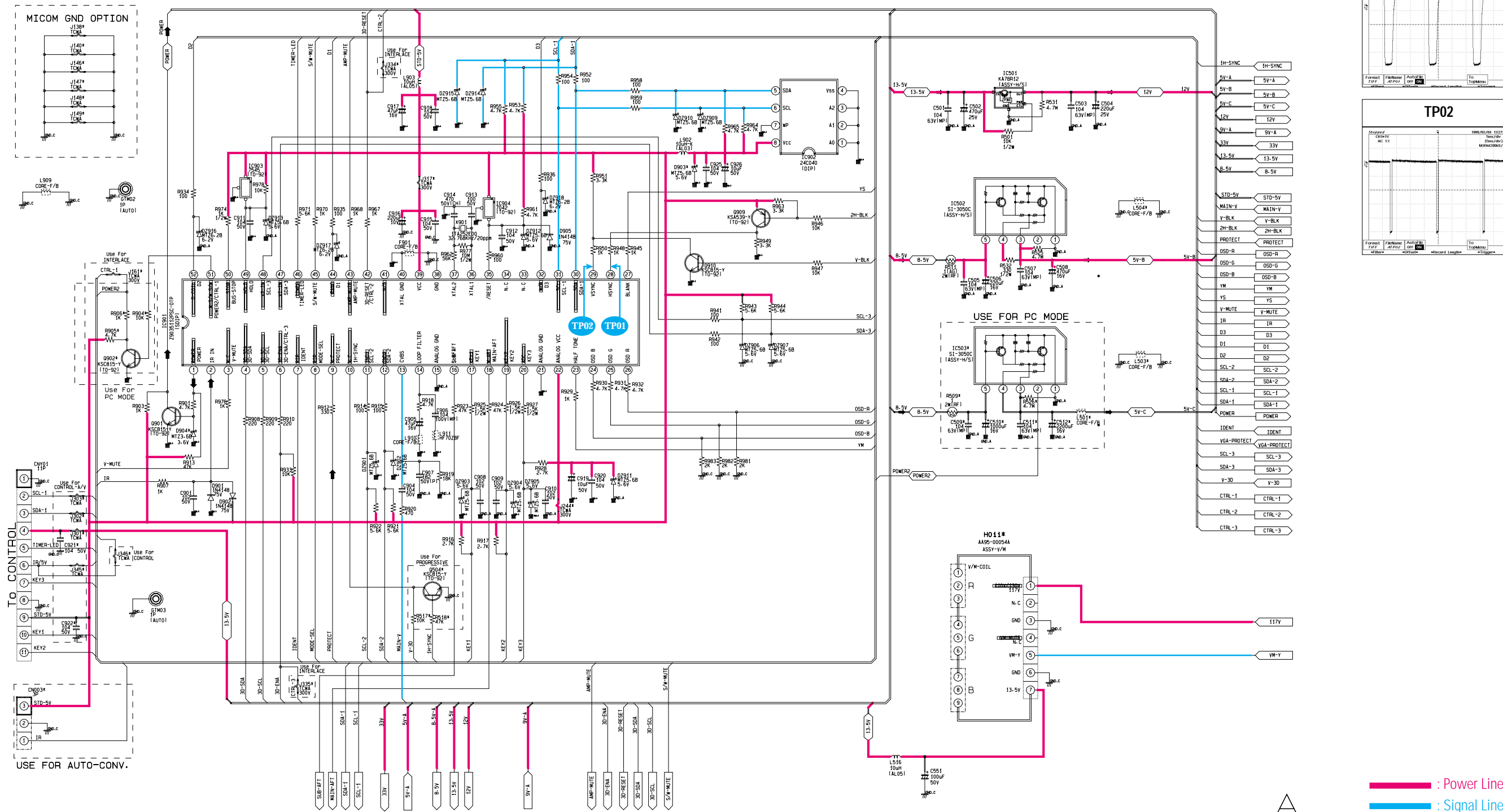


# 10. Schematic Diagrams

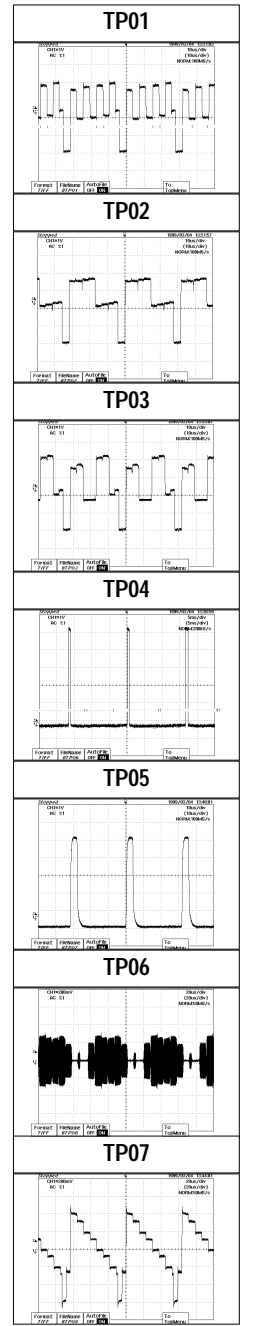
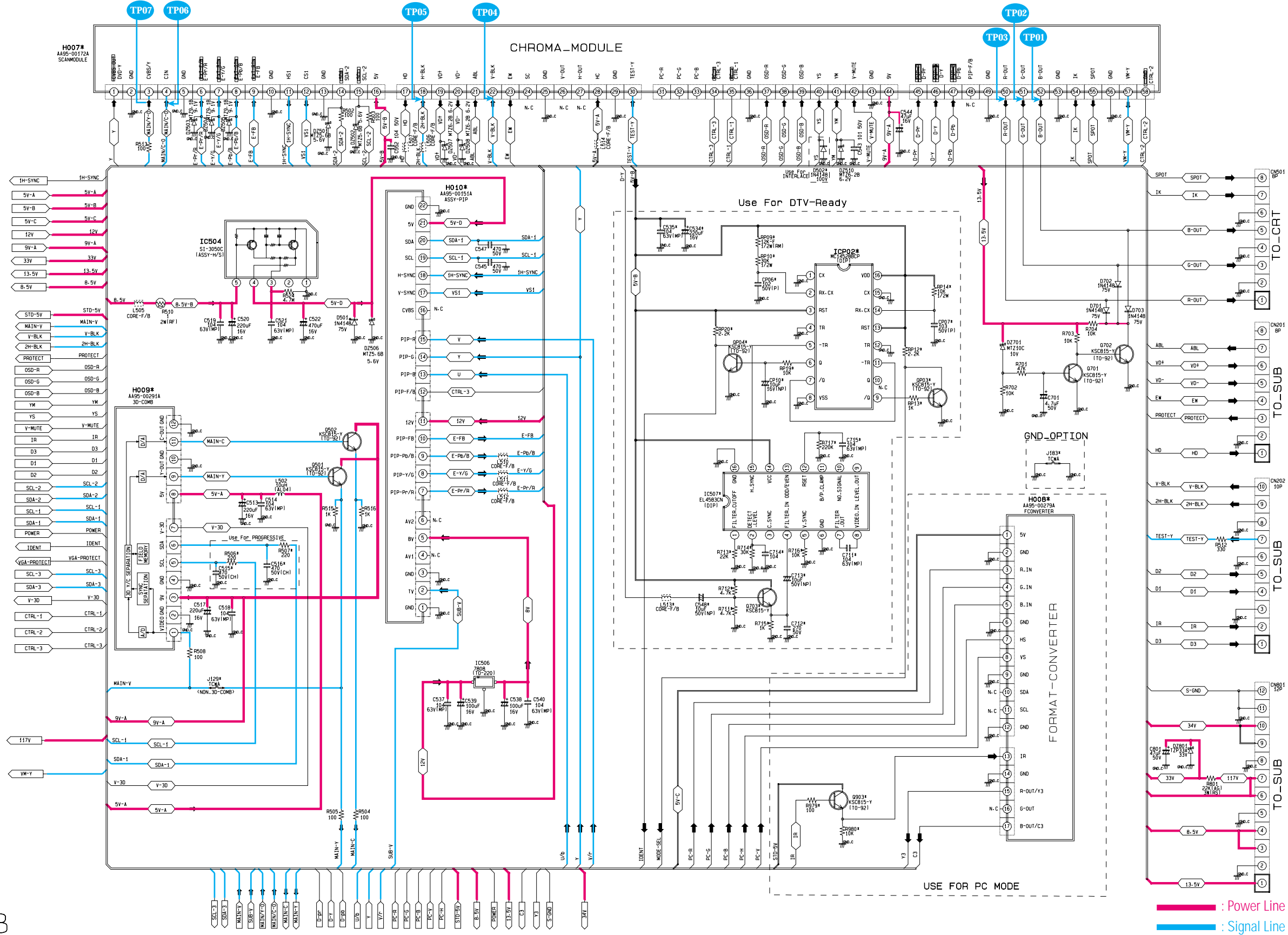
## 10-1 MAIN A

SCHEMATIC DIAGRAM  
 CHASSIS : P51A  
 MODEL : PCJ522R/PCJ612R  
 FILENAME : MAIN  
 99/09/07  
 PCB NO : AA41-11053C



— : Power Line  
 — : Signal Line

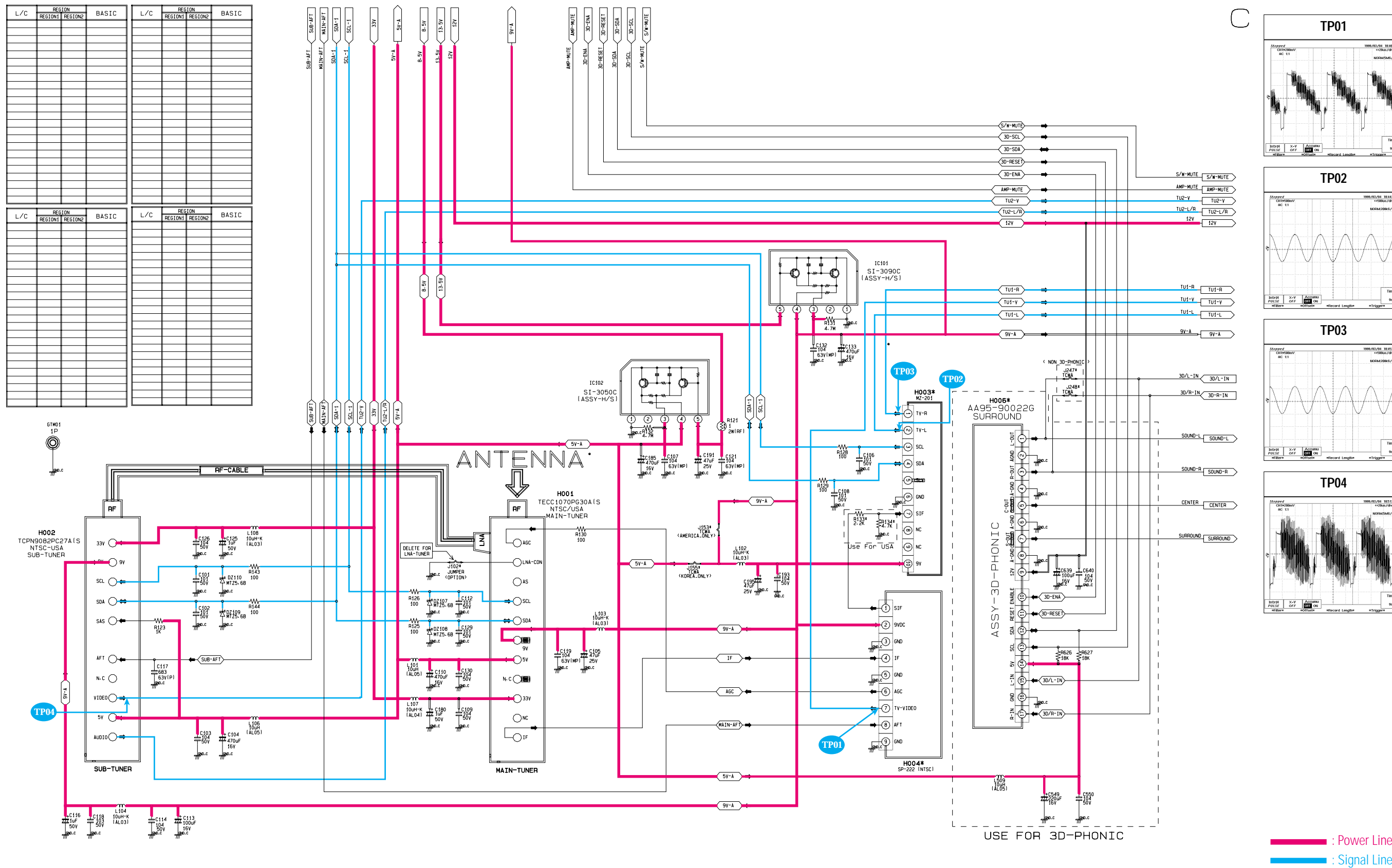
# 10-2 MAIN B



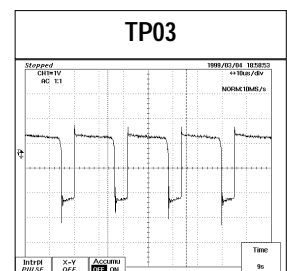
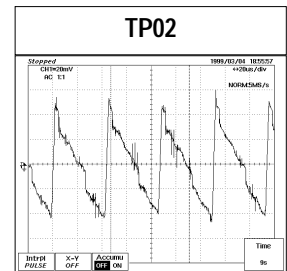
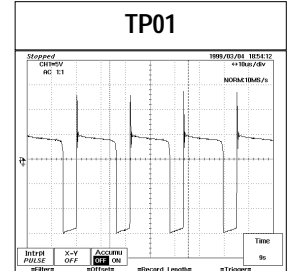
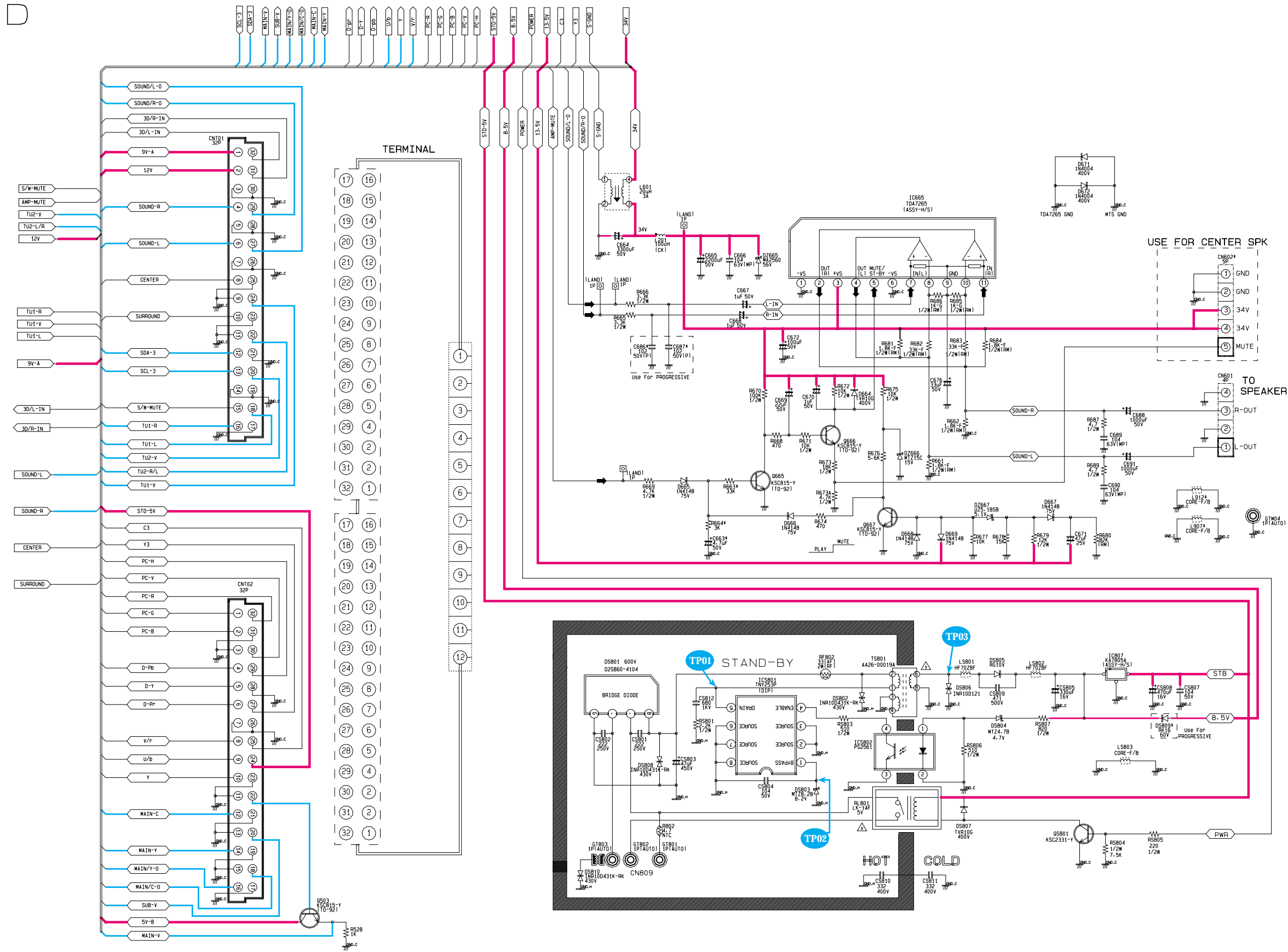
— : Power Line  
 — : Signal Line

B

10-3 MAIN C



# 10-4 MAIN D



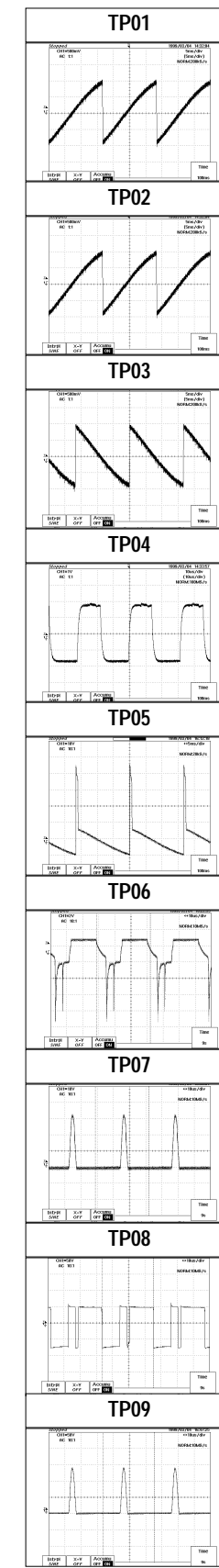
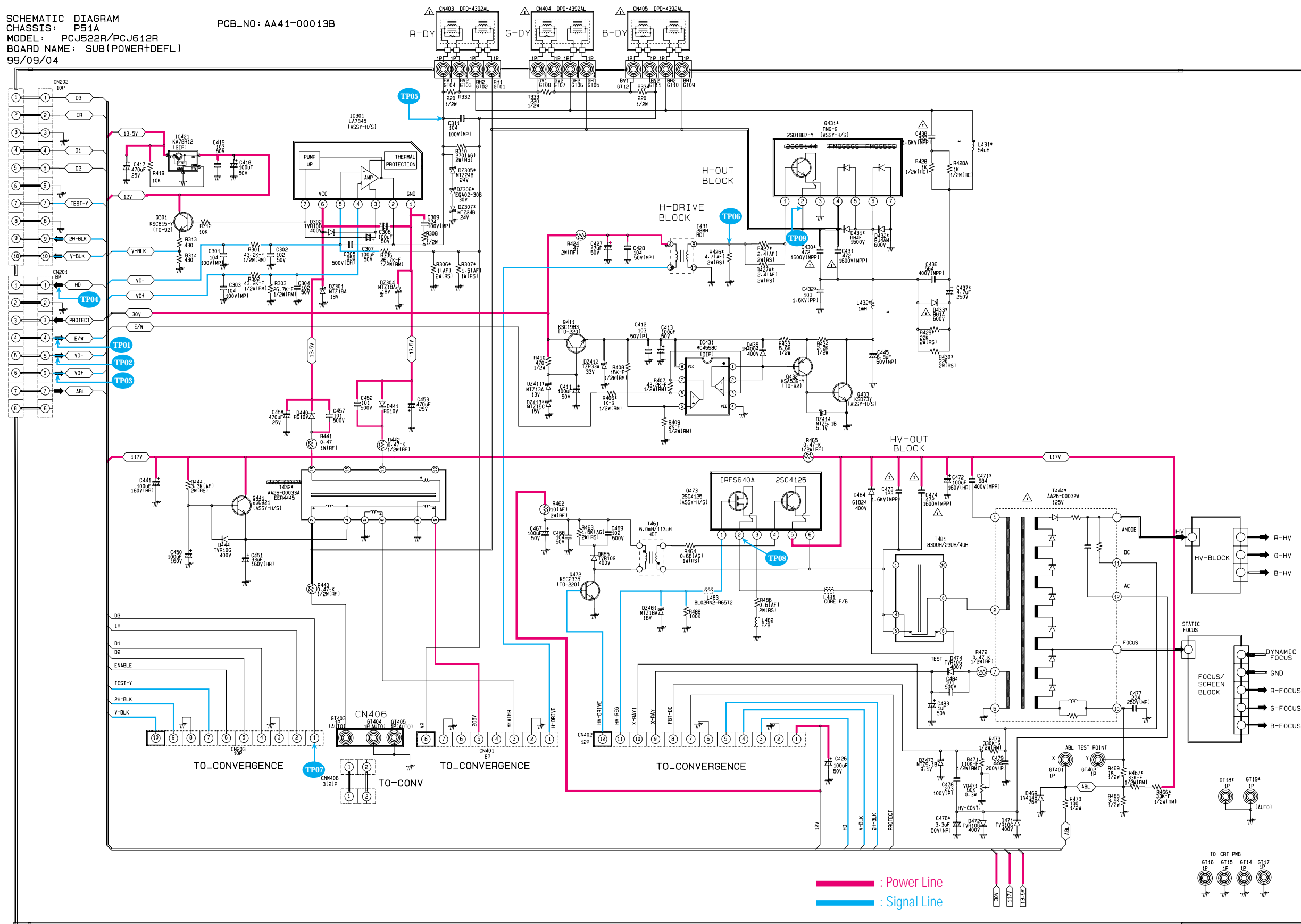
Power Line  
 Signal Line



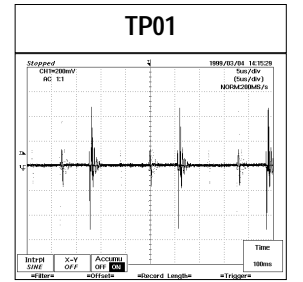
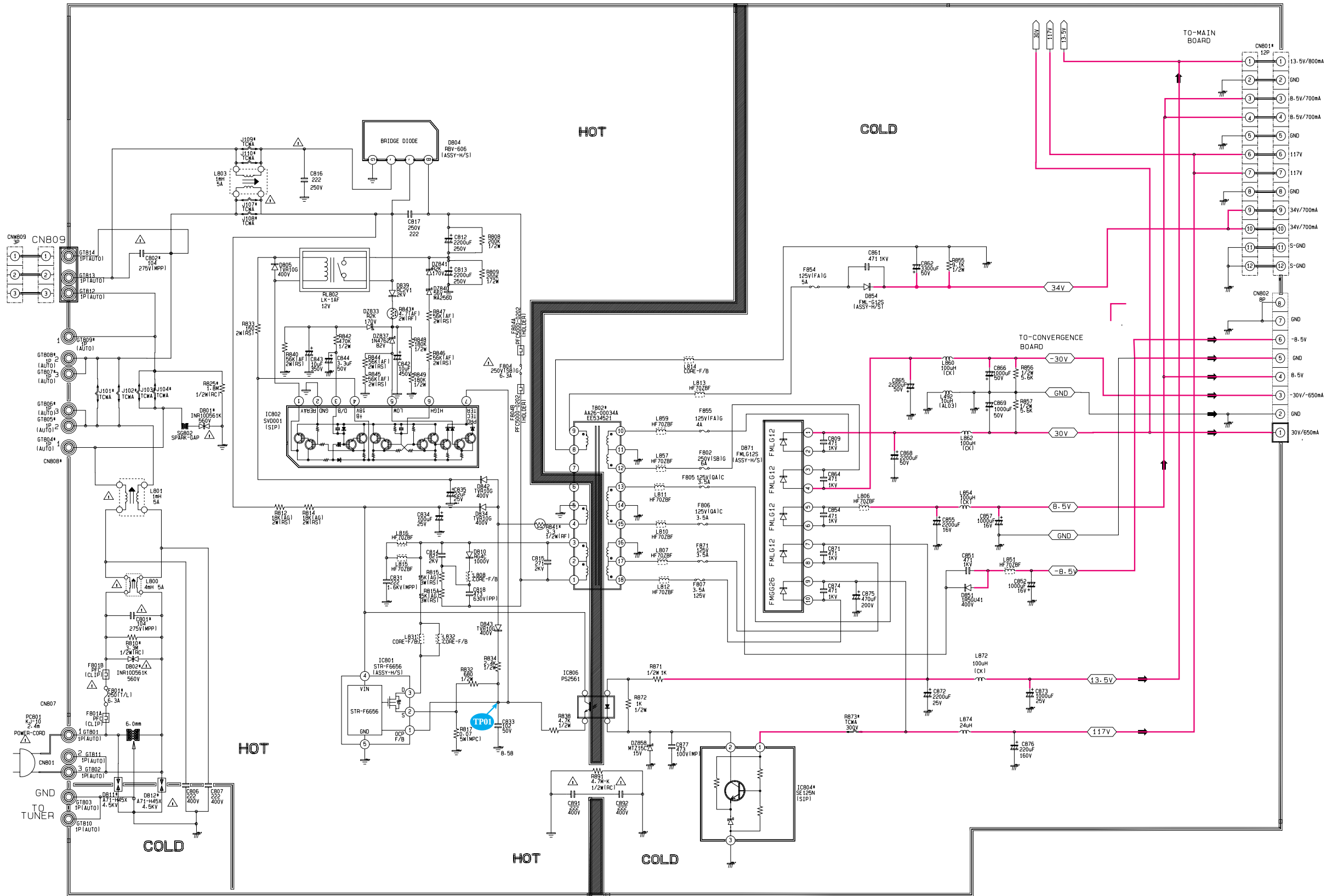
# 10-5 SUB (POWER+DEFL) -1

SCHEMATIC DIAGRAM  
 CHASSIS: P51A  
 MODEL: PCJ522R/PCJ612R  
 BOARD NAME: SUB (POWER+DEFL)  
 99/09/04

PCB\_NO: AA41-00013B



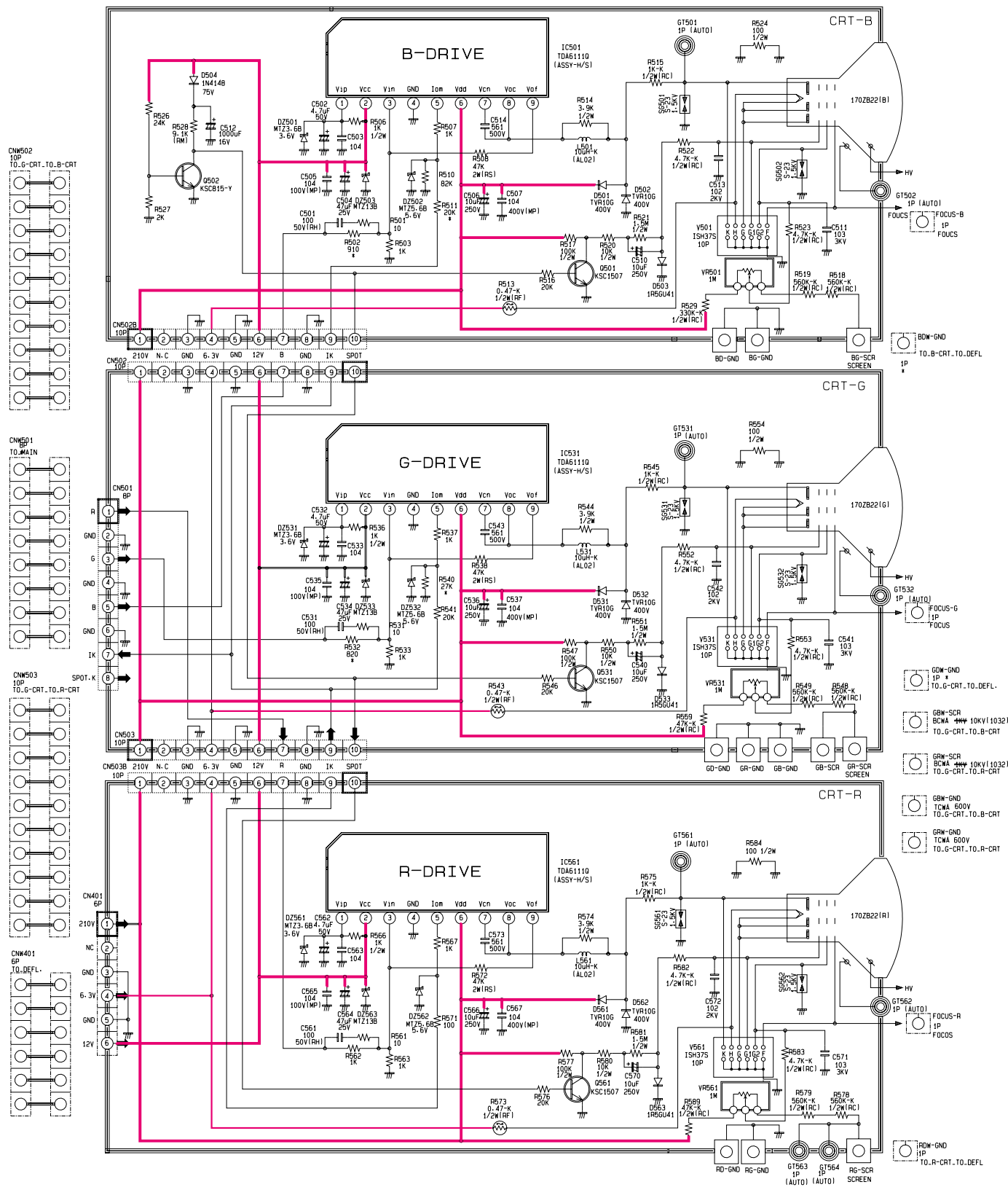
10-6 SUB (POWER+DEFL) -2



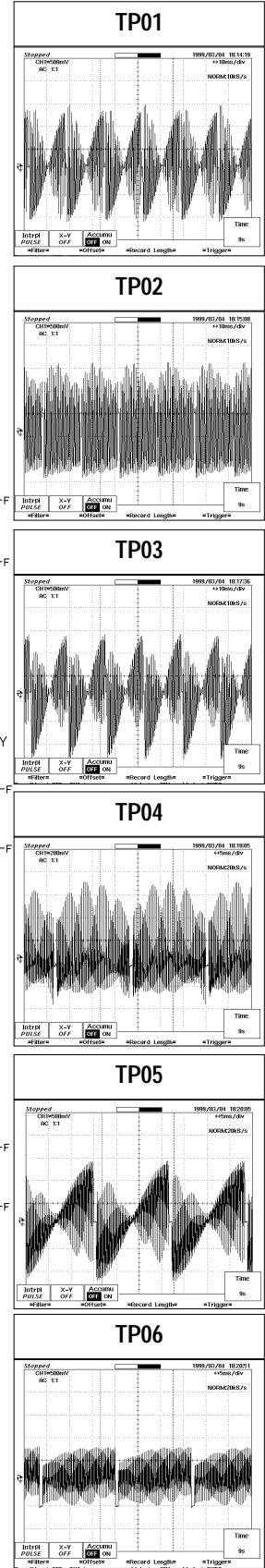
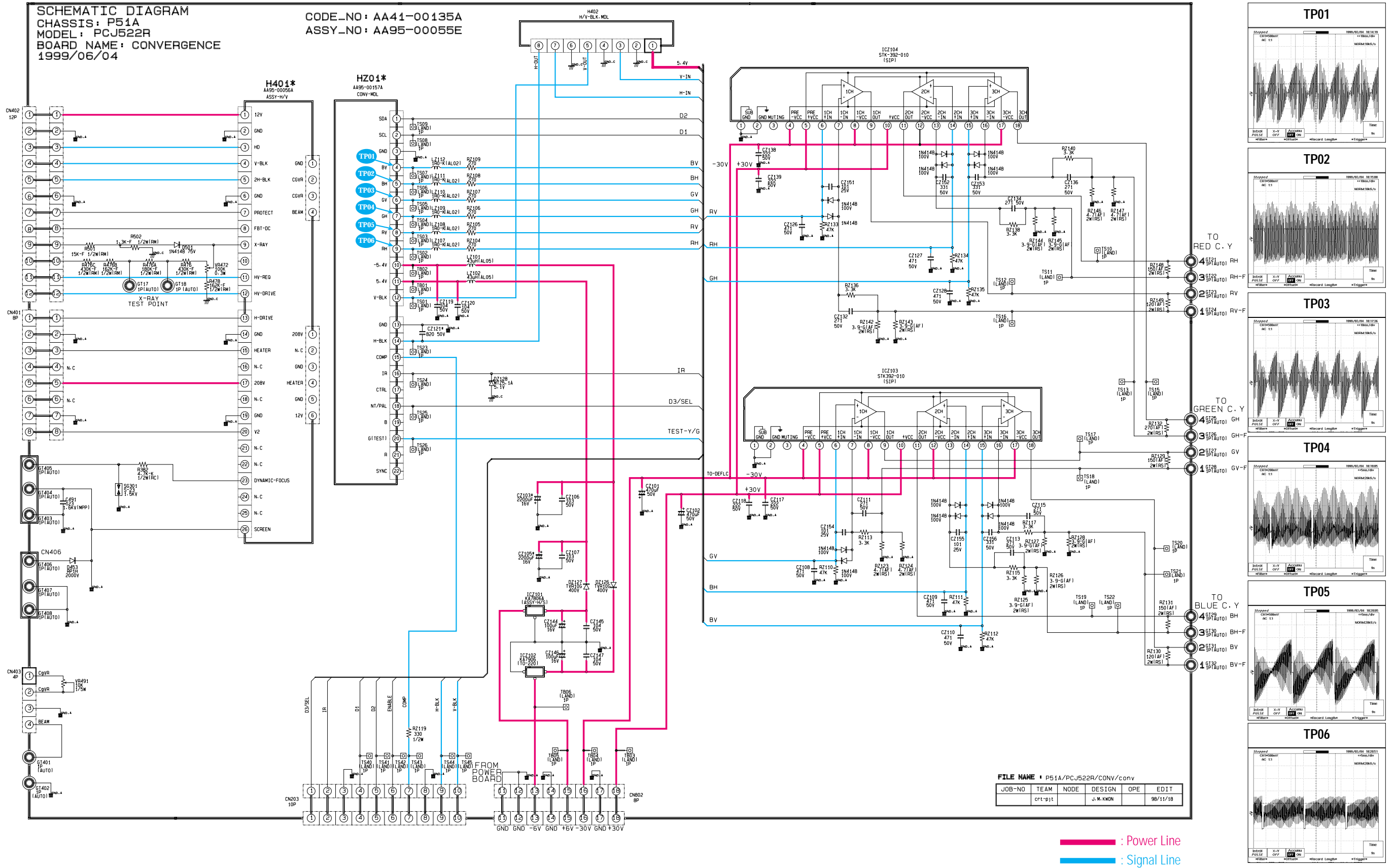
— : Power Line  
— : Signal Line

10-7 CRT

SCHEMATIC DIAGRAM  
 CHASSIS: P51A  
 MODEL: PCJ522R/PCJ612R  
 BOARD NAME: CRT

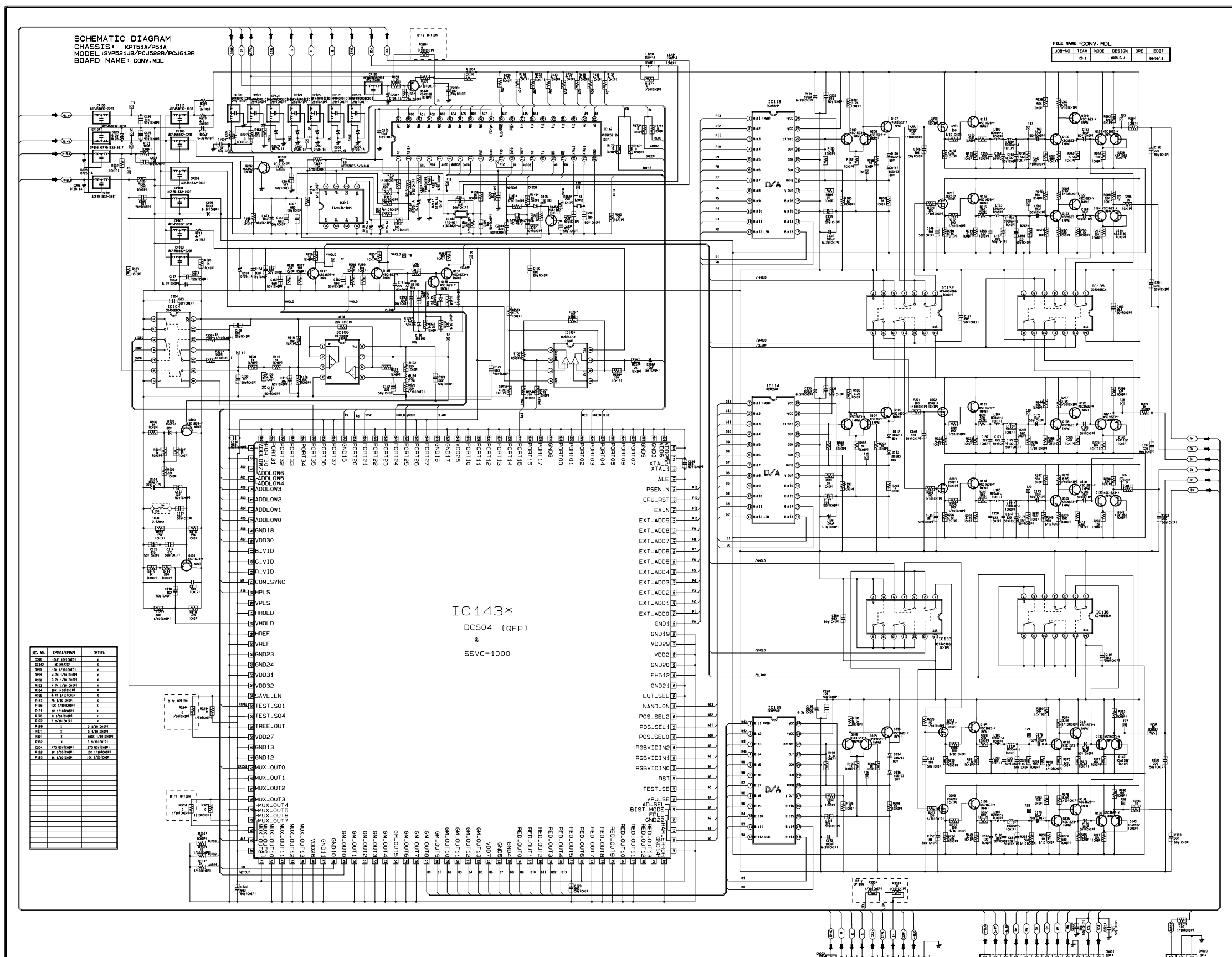


# 10-8 CONVERGENCE

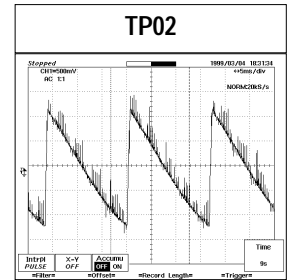
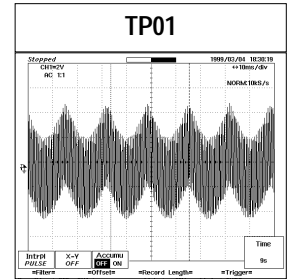
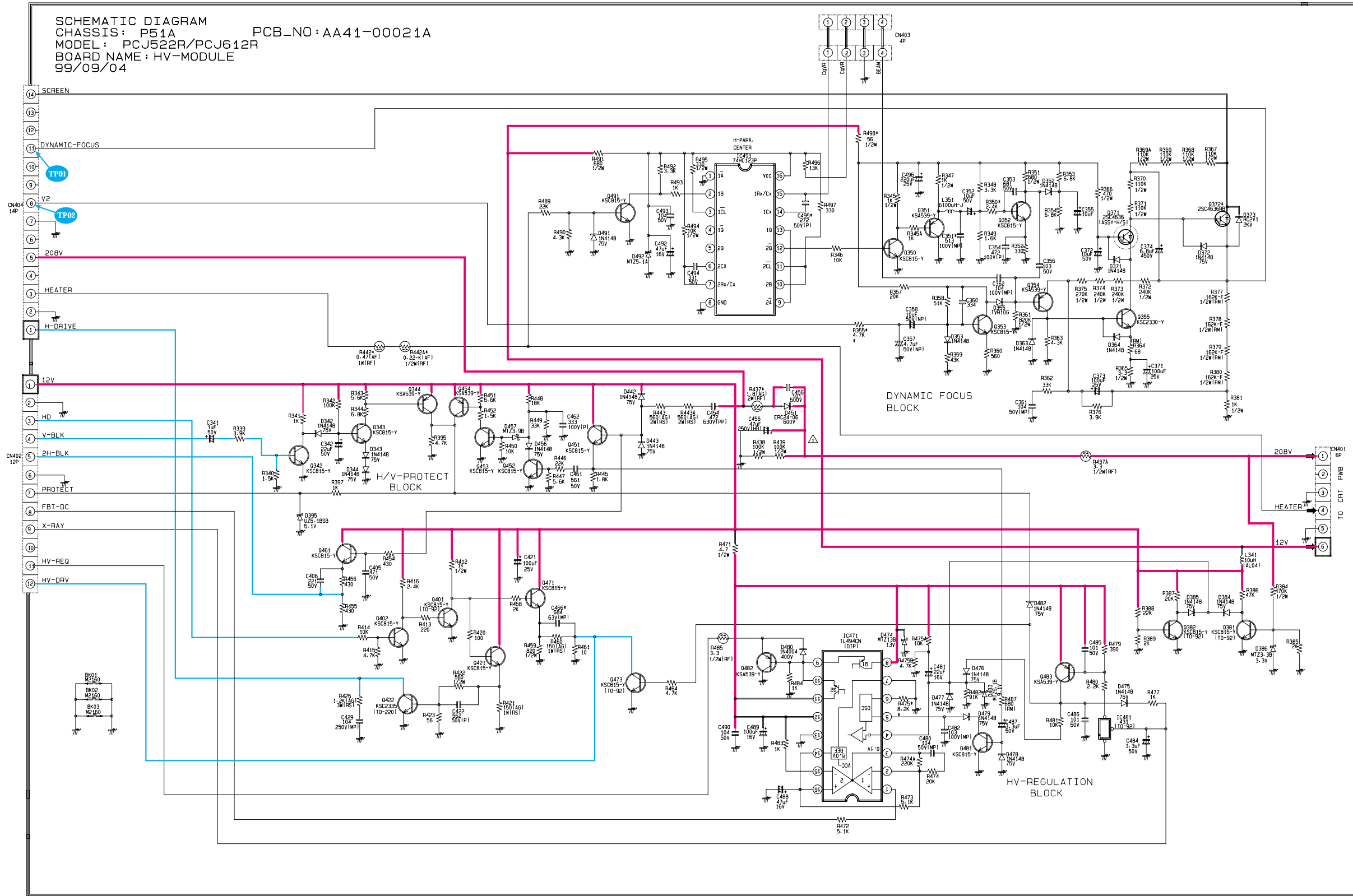




# 10-9 CONVERGENCE MODULE



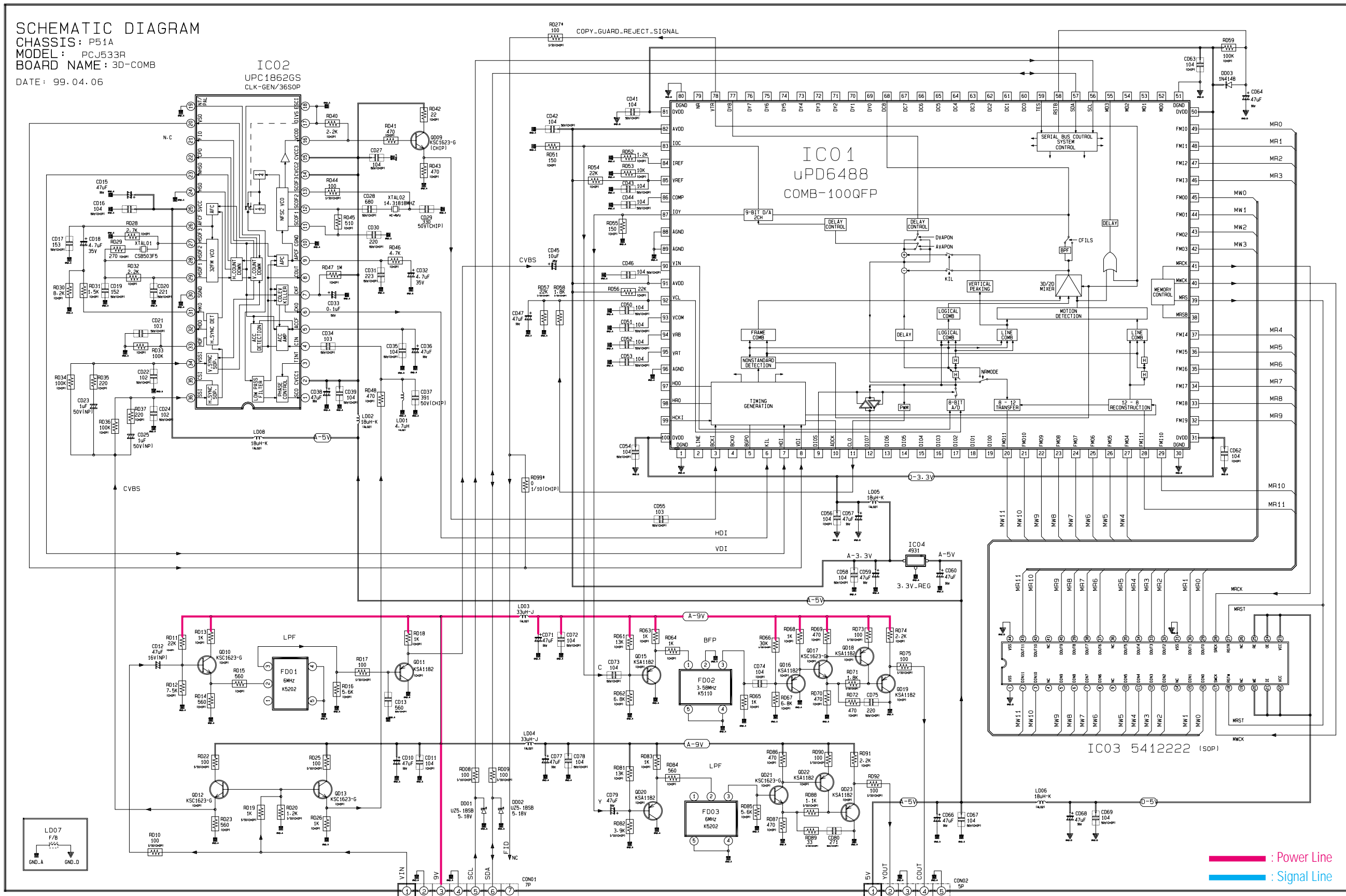
# 10-10 H/V-MODULE



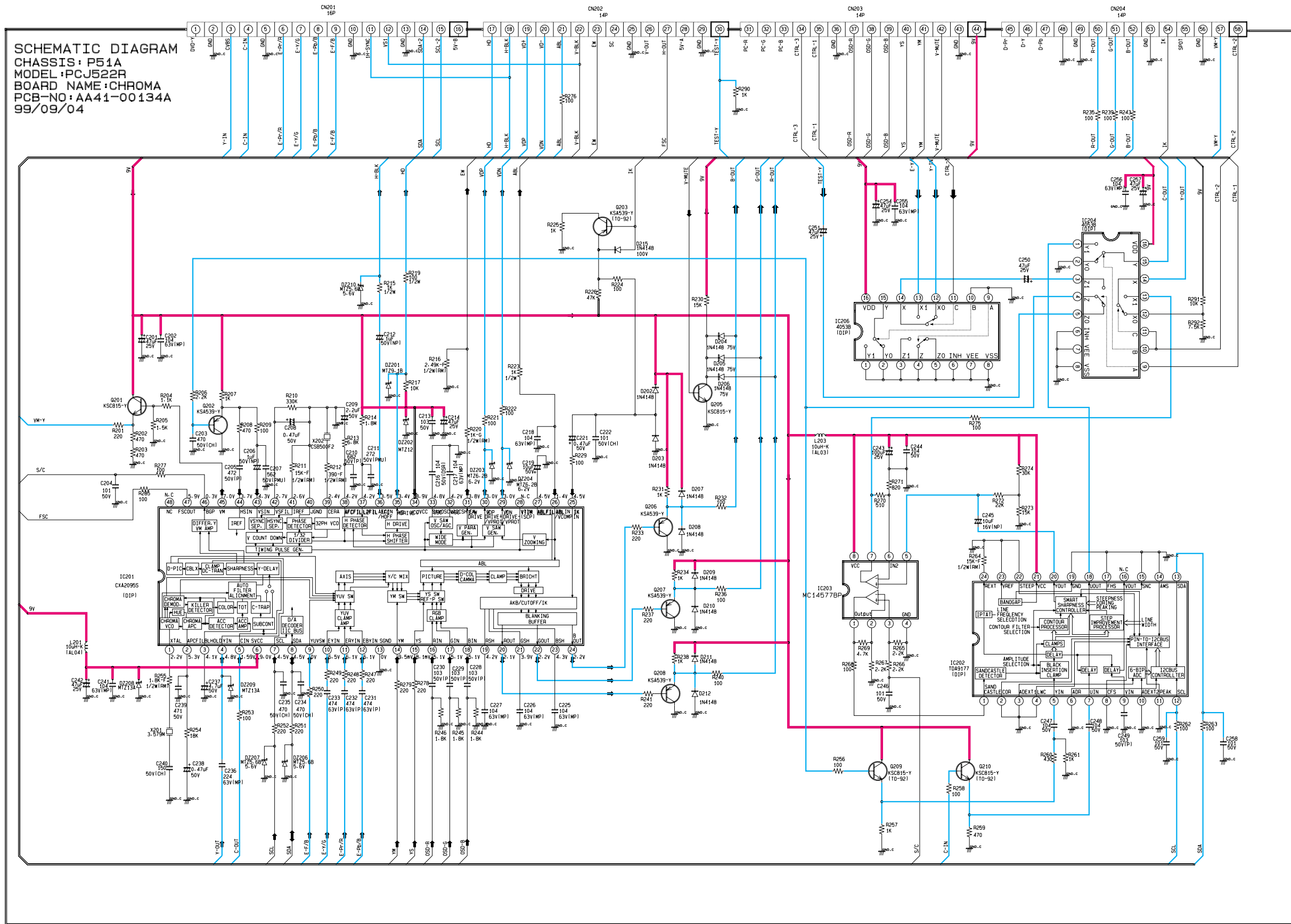
Power Line  
 Signal Line

10-11 3D COMB

SCHEMATIC DIAGRAM  
 CHASSIS: P51A  
 MODEL: PCJ533R  
 BOARD NAME: 3D-COMB  
 DATE: 99.04.06



# 10-12 CHROMA

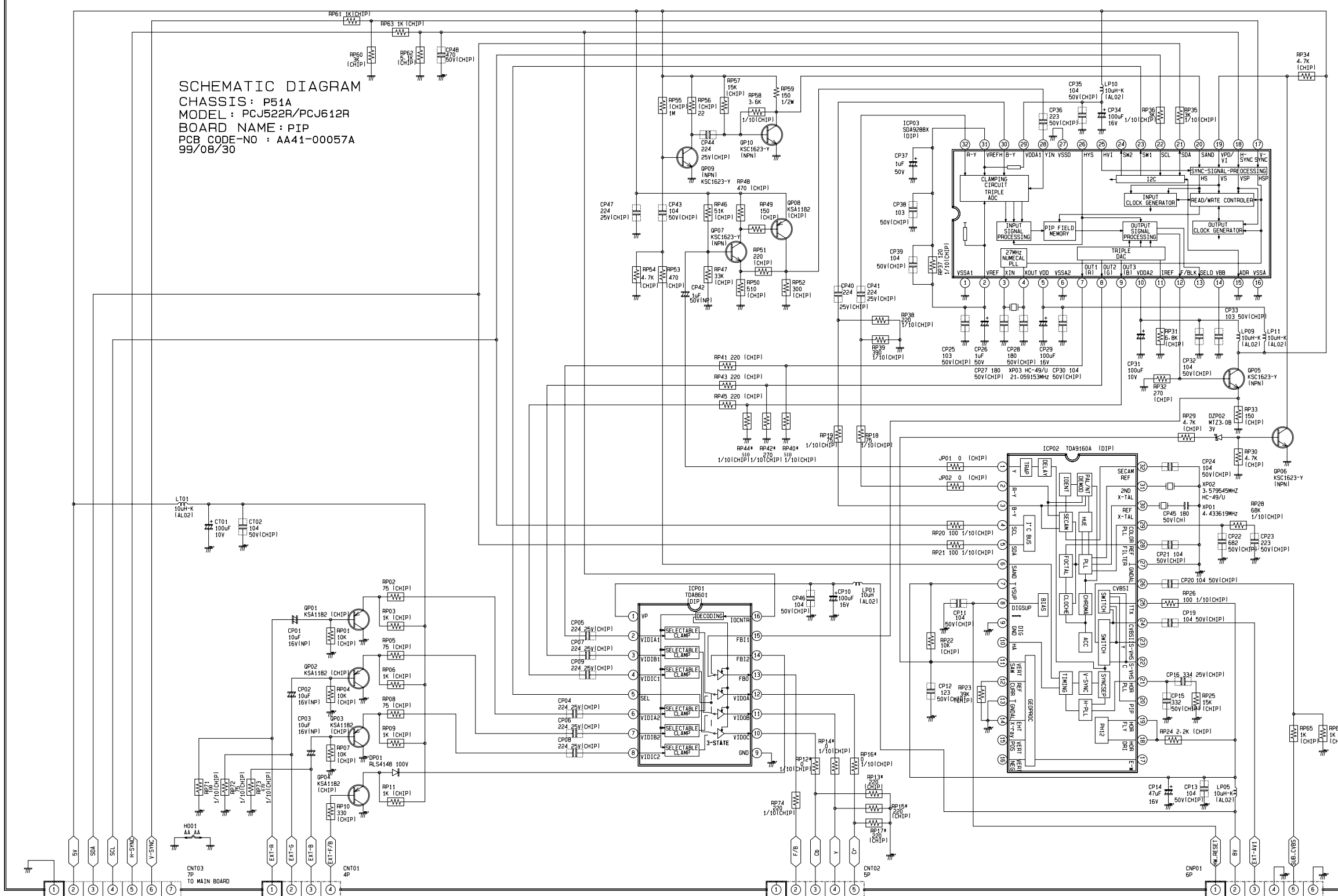




10-13 PIP

RELATED PCB : AA41-10900A  
98/11/27

SCHEMATIC DIAGRAM  
CHASSIS : P51A  
MODEL : PCJ522R/PCJ612R  
BOARD NAME : PIP  
PCB CODE-NO : AA41-00057A  
99/08/30



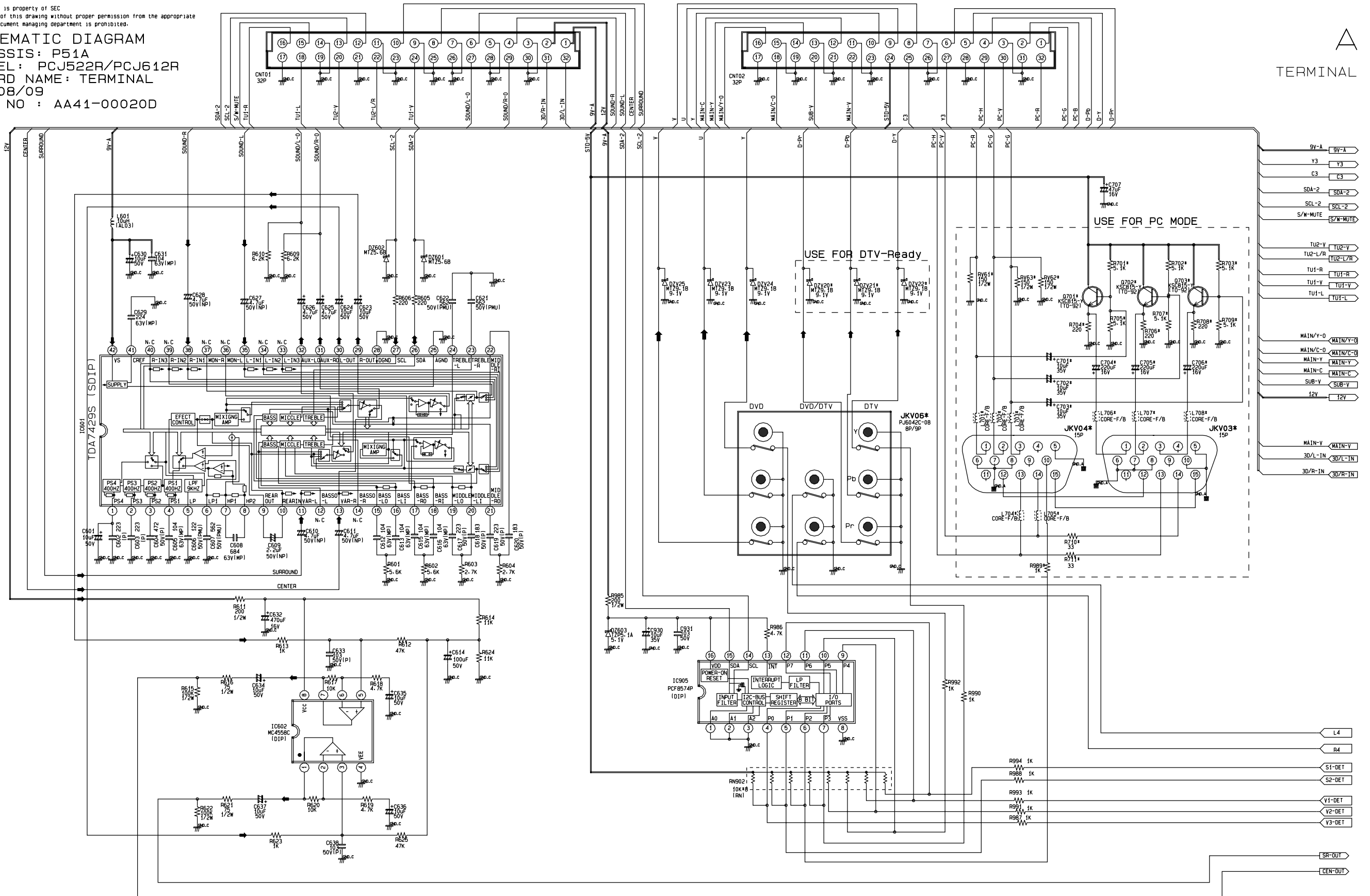
# 10-14 TERMINAL-1

This drawing is property of SEC  
 Use or copy of this drawing without proper permission from the appropriate  
 technical-document managing department is prohibited.

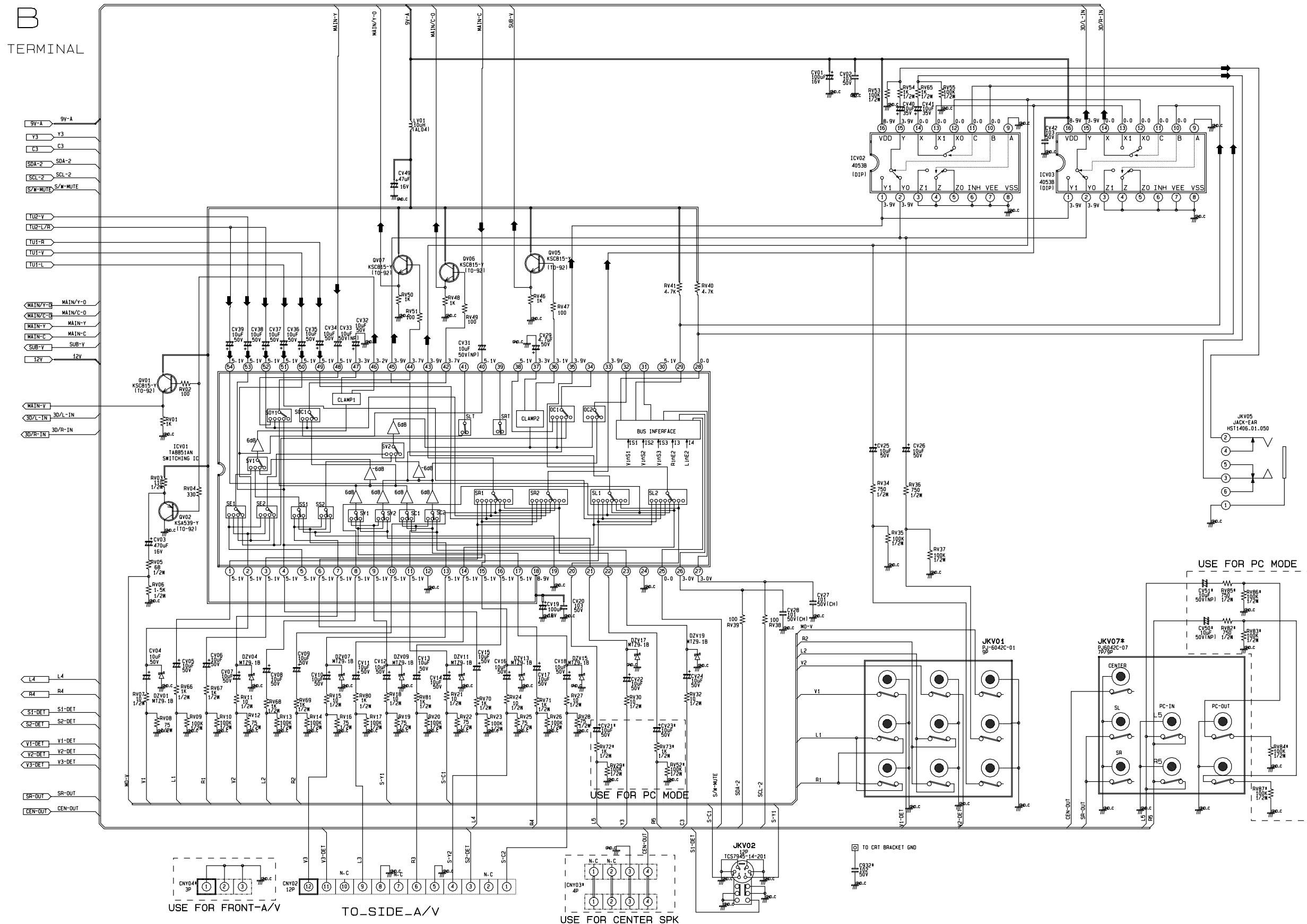
## SCHEMATIC DIAGRAM

CHASSIS: P51A  
 MODEL: PCJ522R/PCJ612R  
 BOARD NAME: TERMINAL  
 99/08/09  
 PCB NO : AA41-00020D

△  
 TERMINAL

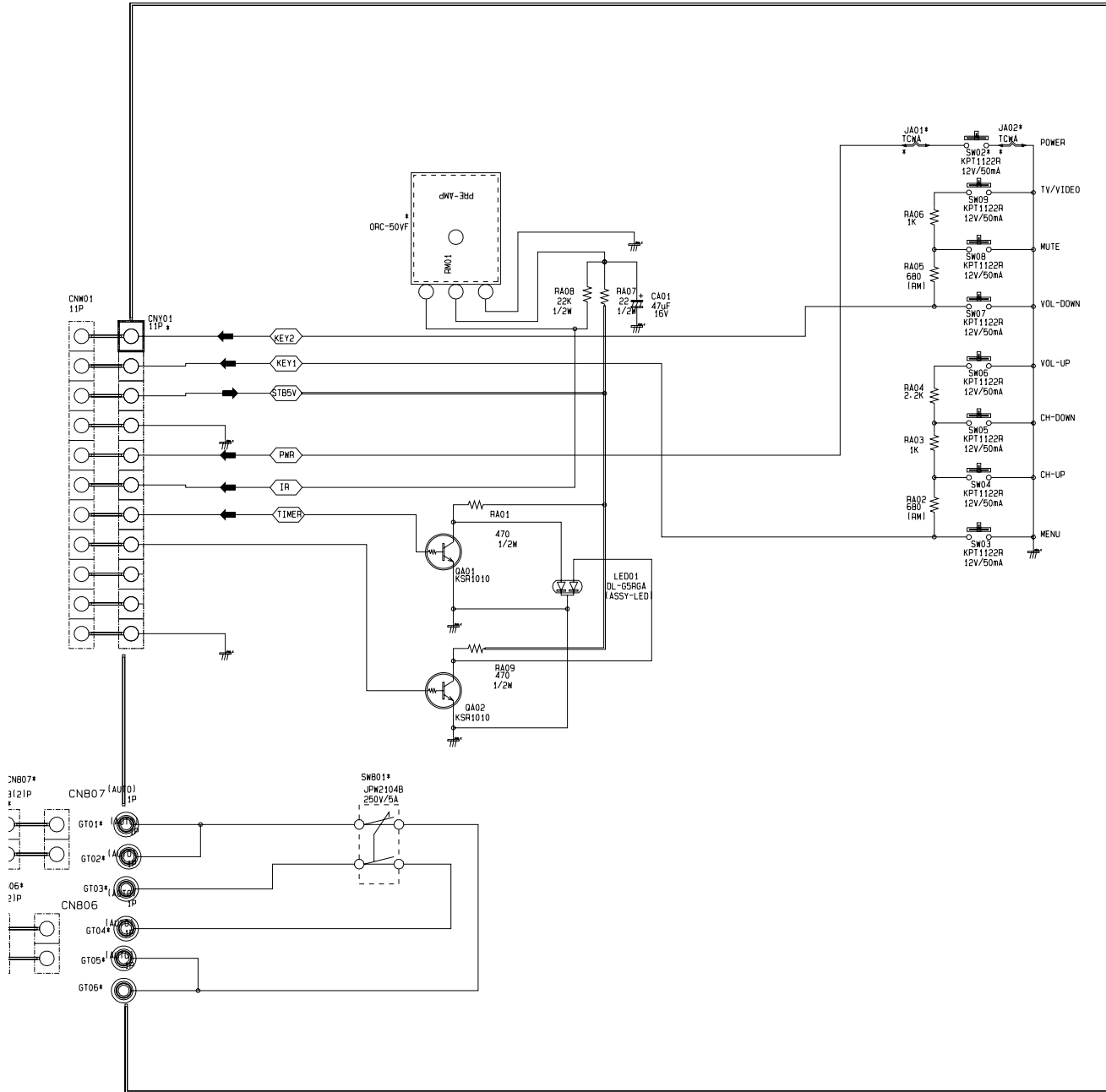


10-15 TERMINAL-2

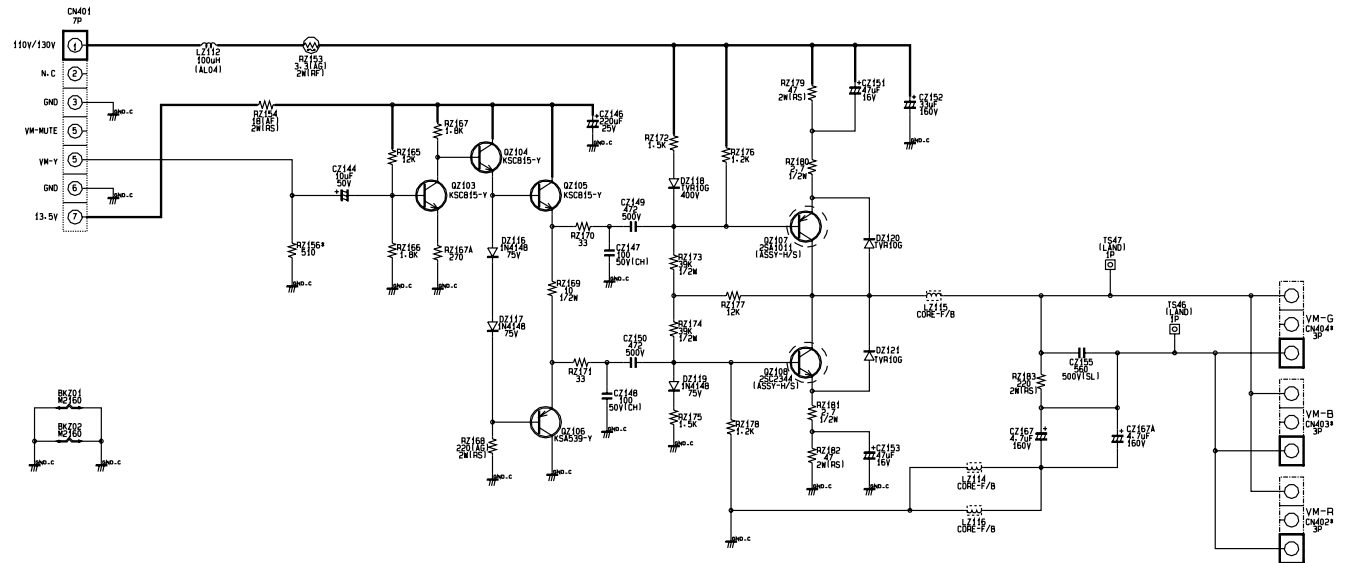


# 10-16 CONTROL, V/M MODULE, H/V BLK

SCHEMATIC DIAGRAM  
 CHASSIS : P51A  
 MODEL : PCJ522R/PCJ612R  
 BOARD NAME : CONTROL



SCHEMATIC DIAGRAM  
 CHASSIS : P51A  
 MODEL : PCJ533R  
 BOARD NAME : V/M MODULE  
 PCB NO : AA41-00018A  
 99/04/09



CHASSIS : P51A  
 MODEL : PCJ522R/PCJ612R  
 ASSY NAME : H/V-BLK  
 PCB CODE : AA41-00190A  
 99/09/02

